

SLC Low Profile Load Cell

Description

Capacities: (Emax)

0.5,1,2,3,5,10,20,30,50,75t

Rated output:

2.0mV/V

Digital:1,000,000d

Grade/Accuracy:

C3 OIML R60

Material of elastomer:

Alloy steel or stainless steel

Execution standard:

GB/T 7551-2008 Certificate

(eqv OIML R60)

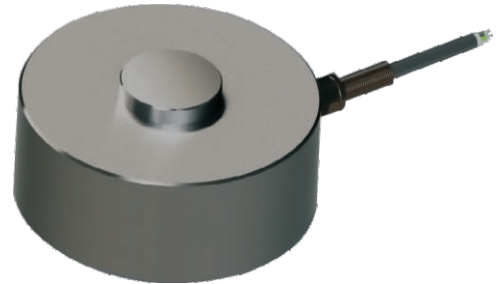
Combined error: 0.015%

Sealed to IEC 529:

Protection grade: IP67 or IP68.

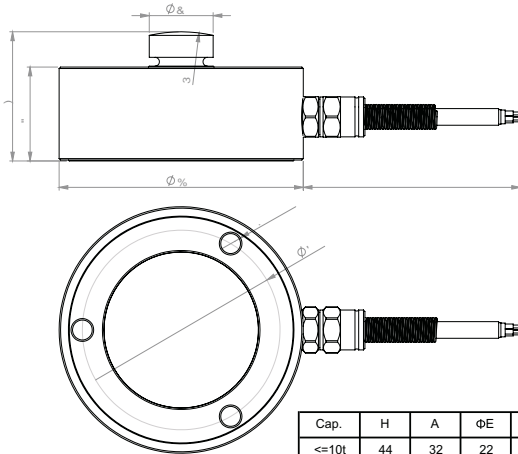
Protection against total immersion

in water for 30 minutes at a pressure corresponding to a 1 m head of water.



Dimensions

(In mm, 1mm=0.03937inches)



Cap.	H	A	ΦE	R	ΦD	ΦF	M
<=10t	44	32	22	50	82	68	M8(3X)
20~30t	64	50	35	160	126	90	M8(3X)
50~75t	80	60	60	300	165	130	M16(4X)

Circuit Diagram

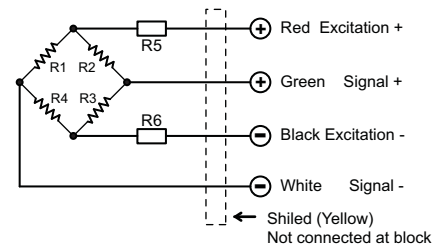
Electrical Termination

4 Cores cable standard lengths:
1m

Cable Diameter:Φ6

Connection:

Refer to the following drawing:



Note:

6 Cores cable is optional.
Do not change the length of cable, or lese,
it will effect the sensitivity of load cell.

Specification

Item/Parameter	C3	Unit
Rated load(Emax):	0.5,1,2,3,5,10,20,30,50,75	t
Maximal numbers of loadcell verfication intervals (Nlc):	3000	d
Minimum number of loadcell verification intervals (Vmin)	0.01	% of rated load
Rated output (Cn):	2.0 ± 0.1%	mV/V
*Combined error:	0.015	% of rated output
Temperature effect on sensivity (TKc):	0.0012	% of rated output/°C
Temperature effect on zero balance (TK0):	0.0008	% of rated output/°C
Zero balance:	1.0	% of rated output
Input resistance (Rlc):	775 ±10	Ω(Ohms)
Output resistance (Ro):	702 ±2	Ω(Ohms)
Insulation resistance:	≥5000	MΩ(Mega-Ohms)
Safe overload:	150%	% of rated capacity
Operating temperature range:	-20~+70	°C
Recommend excitation:	5~18	V(DC or AC)
Maximum excitation:	24	V(DC or AC)
Material of elastomer:	Alloy Steel / Stainless Steel	
Protection class:	IP67/IP68	

The data for deviation of synthesis error,TK0,TKc are typical values. The sum of these data meets the requirements according to OIML R60

Copyright

Modifications reserved

All details describe our products in general from only.

They are not to be understood as express warranty and do not constitute liability whatsoever.

The company reserves the right to make amendments to this datasheet information without prior notice.

No part of this datasheet, including the texts, photographs, may be reproduced or transmitted without the express written permission of Ningbo Maken Electric Co.,Ltd.

benui[®]
benui electric

Ningbo Benui Electric Co.,Ltd.
Ningbo Maken Imp & Exp Co.,Ltd
Add:No.28,MoJu Road, WangAi Industry Park,
Beilun District, Ningbo City,China
ZIP:315800

Tel: +86-574-8680 6865 0574-8680 6565

Fax: +86-574-8609 0607

E-mail: kevin@makenie.com sales@benui.com

http://www.benui.com www.loadcell.cn