

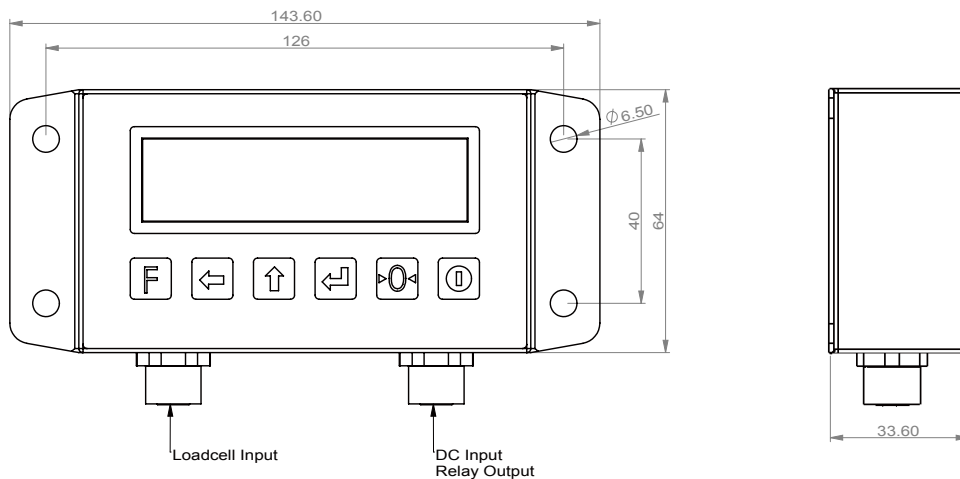
Description

- Anti-interference and Reliable Operation
- Zero Tracking
- Low Power Consumption
- 24VDC
- Simple Direct Connection
- Supported Multi-load cells
- Heavy Relay
- Setable Threshold Value
- Good Cost Performance
- Stainless Steel Housing



Dimensions

(In mm, 1mm=0.03937inches)



Specification

Accuracy:	0.01% F.S
Conversion Speed:	20, 40 or 100 samples (Options)
Sensitivity:	1.0 $\mu\text{V}/\text{Vsi}$
Full Scale Range:	4.5mV/V
Linearity:	0.5% of full scale
Excitation:	+5VDC with sense (4/6 wires)
Count By:	x1, x2, x5, x10, x20, x50
Decimal Point:	between any digits of the weight display
Calibration Methods:	dead load and span, store in EEPROM
Relay Capacity:	0.1A 24VDC
Relay Mode:	Normal Opened/Closed (Options)
Buzzer:	$\geq 90\text{dB}$ (Optional)
Display:	6 digit, 7-segment, LED, 0.8"
Keyboard:	6 key touch switch
Voltage:	110 or 220VAC adapter
Power:	2W
Operating Temp:	-10°C to +40°C [14°F to 104°F]
Storage Temp:	-10°C to +70°C [-4°F to 158°F]
Relative Humidity:	40-90% RH, non-condensing

Copyright

Modifications reserved

All details describe our products in general from only.

They are not to be understood as express warranty and do not constitute liability whatsoever.

The company reserves the right to make amendments to this datasheet information without prior notice.

No part of this datasheet, including the texts, photographs, may be reproduced or transmitted without the express written permission of Ningbo Maken Electric Co.,Ltd.

MAKEN
MAKEN ELECTRIC

Ningbo Maken Electric Co.,Ltd.
Add: 28 Moju Road,WangAi industry park,
Beilun,Ningbo City, China ZIP:315800
Tel: +86-574-8680 6565
Fax:+86-574-8609 0607
E-mail: sales@makenie.com
maken.bowey@hotmail.com
<http://www.makenie.com> www.maken.biz